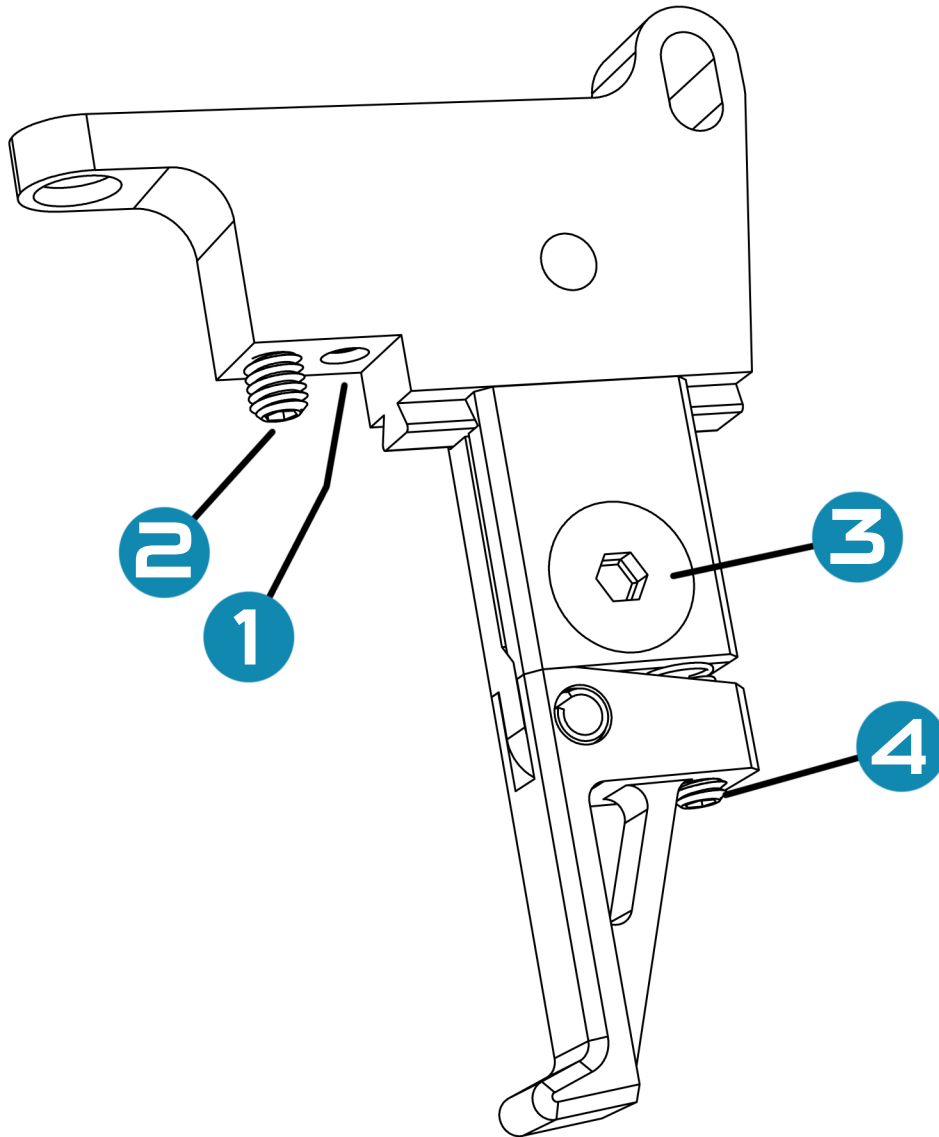


Dual stage trigger

User manual - speed



1
2
3
4

1 Preload adjustment screw: tighten the M3x12 screw to add preload, loosen the M3x12 screw to loosen preload. ⚠ Excessive high trigger preload will generate slam fire and safety issues.

2 Safety engagement screw: tighten the M3x12 screw to delay the safety engagement point, loosen the M3x12 screw to advance the safety engagement point. ⚠ It is mandatory to adjust the trigger preload before the safety engagement point for safety reasons. Excessive high adjustment will halt safety engagement. Excessive low adjustment will disable safety operation. It is necessary to remove or modify stock panels to make this adjustment.

3 Trigger position screw: loosen the M3x6 screw, move the trigger back or forth, then tighten the M3x6 screw to secure the position. ⚠ Excessive front or back position of the trigger will limit trigger movement and eventually cause malfunctions.

4 Dual stage adjustment: tighten the M3x6 screw to reduce dual stage length, loosen the M3x6 screw to increase dual stage length. ⚠ If the M3x6 screw is totally tightened, the dual stage trigger can be used as a single stage trigger.